



Pull-tight Seal BP 586 / BIG FLAG (blue)

The seal should always be tightened firmly when attaching and can be removed with a simple cutting tool.

DESCRIPTION

The pull-tight seal BP 586 can be used in many ways, in particular it is used to secure bags, money and valuables containers.

The indicative seal BP 586 is made of polypropylene and has a locking mechanism integrated into the seal flag. The sealing tail has teeth on one side, this provides hold when sealing textile materials, e.g. jute and cotton sacks, mail and valuables sacks, and prevents them from slipping. The BP 586 has a particularly large seal flag (105 mm x 55 mm) and enables various labeling and identification options. It is provided with a 6-digit sequential number and can be supplied with a barcode, data matrix, logo or text. It also offers space for customer-specific labels.

The seal should always be tightened firmly when attaching and can be removed with a simple cutting tool.

TECHNICAL SPECIFICATIONS

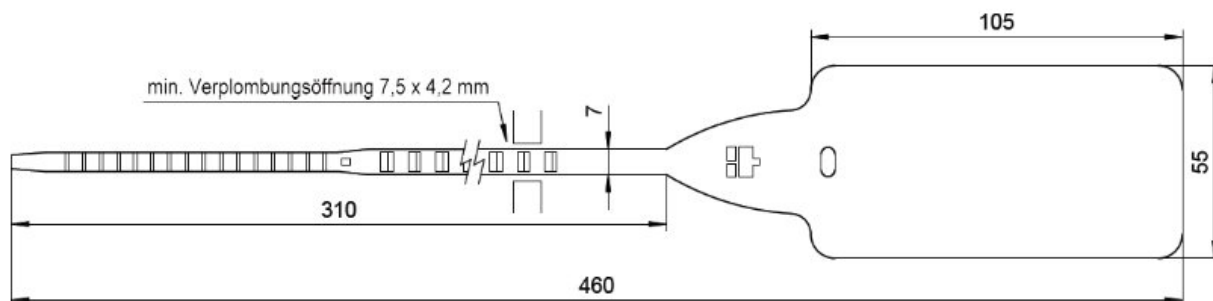
Material:	Polypropylene
colour:	blue
seal strap width:	7.3 mm
seal strap thickness:	3.7 mm
sealing hole:	7.8 x 4.2
seal strap length:	310 mm
total length:	460 mm
standard marking:	1 character, 6-digit sequential number
weight:	10.50 kg
removing the seal:	Simple cutting tool
sales unit:	1000 pieces

PRODUCT CODE

3.19.950.K.BLAU



TECHNICAL DRAWING



APPLICATIONS AND INDUSTRIES

